



LORENTZ

design David Lopez Quincoces

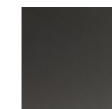
Modular elements of different sizes (base, backrest, armrest) joined together by means of specific hooks, with a frame in double-paneled poplar and pine; base with inserted a black painted under-seat panel and padding in polyurethane foam covered in 100% polyether thermally bonded onto a polyamide velveteen backing. Backrests, armrests, and seat cushions with padding in differentiated densities polyurethane foam covered with a mat in prewashed and sterilized goose down, stitched into separated compartments. Fabric or leather upholstery, both fully removable by zippers and Velcro fastenings. Black aluminium feet Ø35mm with black PVC tips, adjustable in height up to 3cm.

Coffee tables, 72x96cm and 96x96cm available as freestanding elements or to be use in composition, with HPL top veneered with Canaletto walnut or Striped Grey, finished with water-based acrylic paint finish, fixed to the padded base with upholstery in the fabrics and leathers in the collection.

Matching trays available in the dimensions 40x60 h.3,5 cm, made of MDF veneered in canaletto walnut or Striped Grey with bottom always paired with leather Cuoietto.

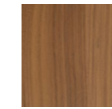
Seat depth: 68cm.

Feet



Matt Black
Painting

Tray

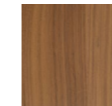


Canaletto
Walnut



Striped Grey

Table Top



Canaletto
Walnut



Striped Grey

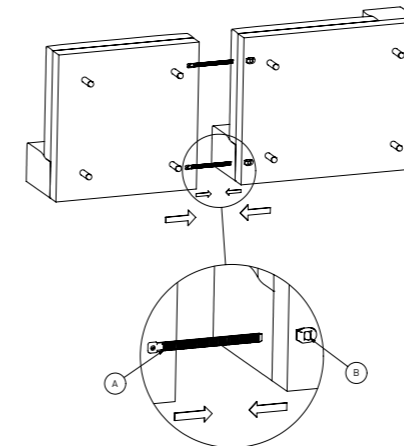
Notes

Modular elements are joined with provided hooks for assembly, as per instruction included in the product.

For elements to be used as central module in island composition, using the backrest on both sides, increase the listed price of 7%.

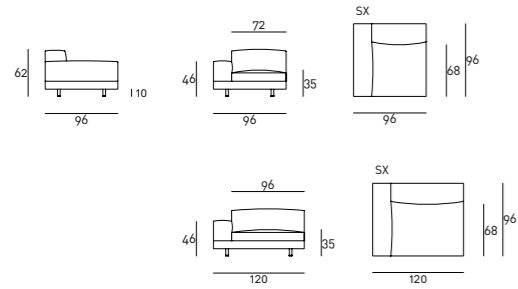
For compositions with tables and different elements, please attach a sketch to the order.

Striped Grey: it is a decorative multilaminar wood veneer, always finished with a transparent acrylic painting, which features exclusive patterns reproducing the natural characteristics of wood. We would like to remind you that, being a natural and living wooden material, it may present nonhomogeneous colour shades, which are peculiarities of the material itself.

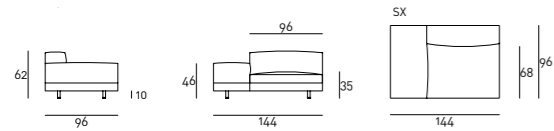


Technical Drawings

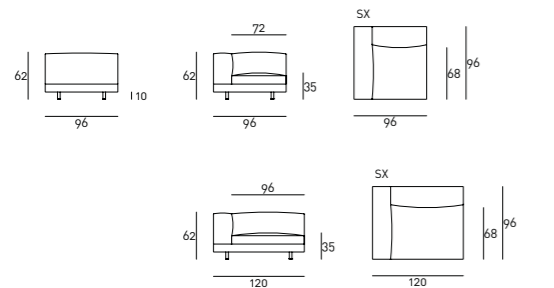
End element with low armrest



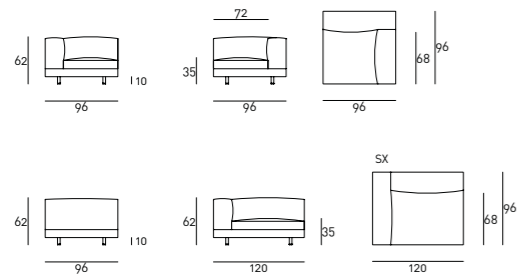
End element with low wide armrest



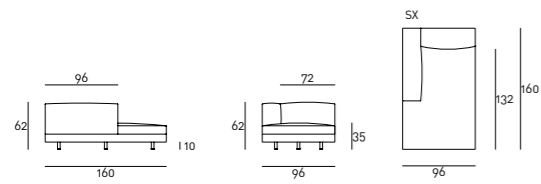
End element with high armrest



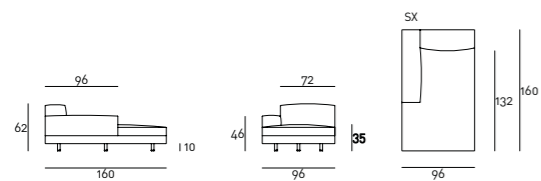
Corner element



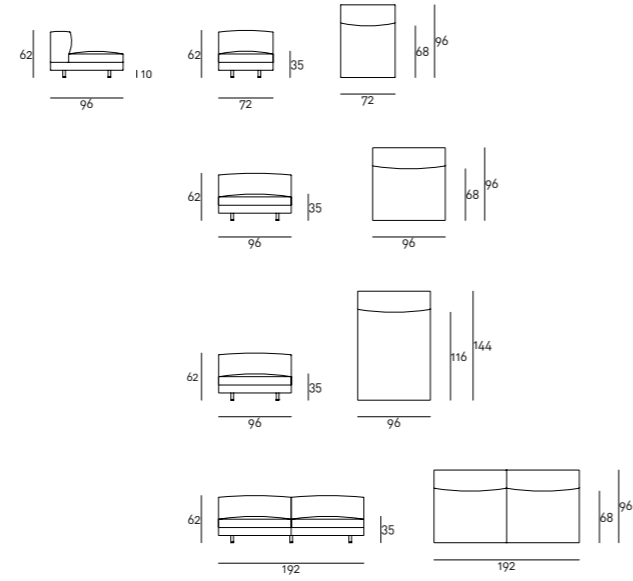
Long seat with high armrest



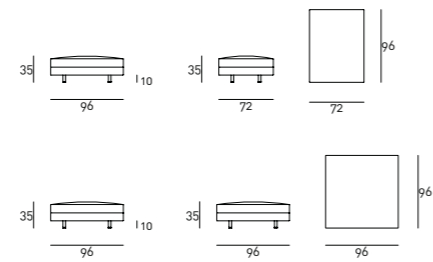
Long seat with low armrest



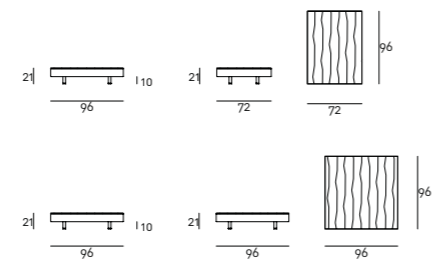
Central element



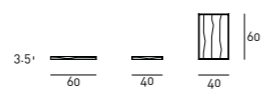
Footrest



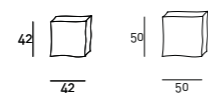
Coffee table



Tray

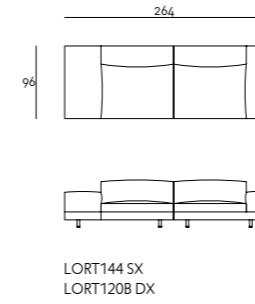


Loose cushions

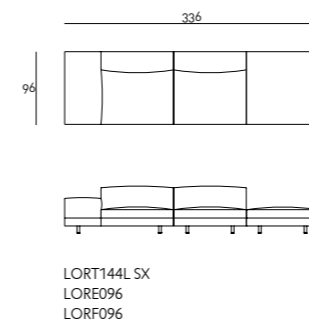


Examples of Composition

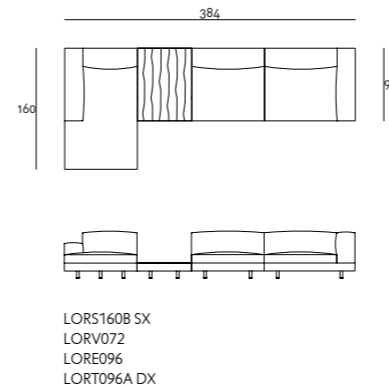
Composition 01



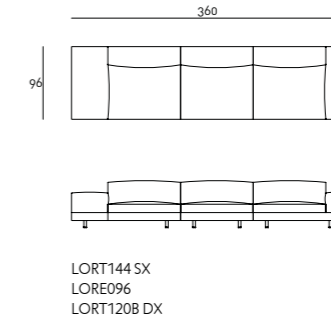
Composition 03



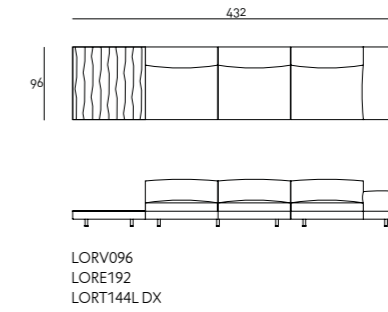
Composition 05



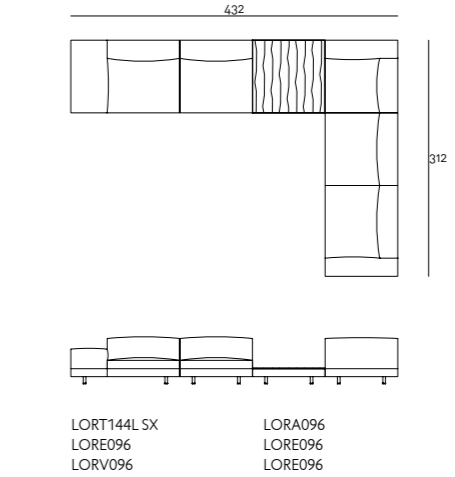
Composition 02



Composition 04



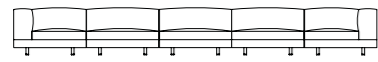
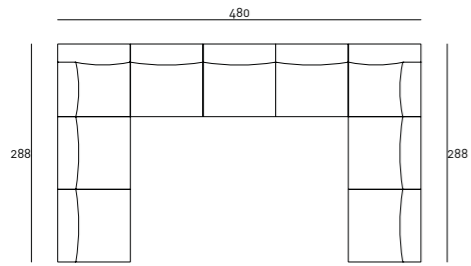
Composition 06



The commercial codes refer to the elements chosen in the above-proposed compositions.

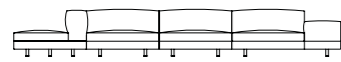
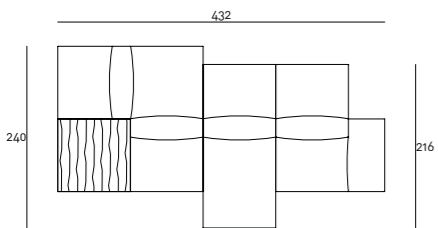
Examples of Composition

Composition 07



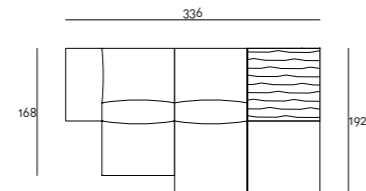
LORE096 LORE096 LORA096
 LORE096 LORE096 LORE096
 LORA096 LORE096 LORE096

Composition 09



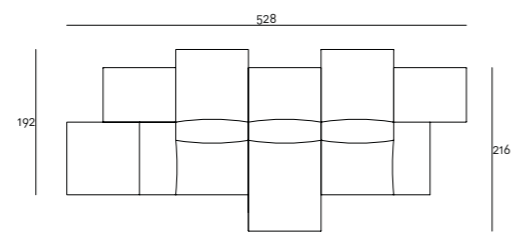
LORE096 LORV096
 LORF096 LORE096
 LORF072 LORE144
 LORF072 LORT144L DX

Composition 08

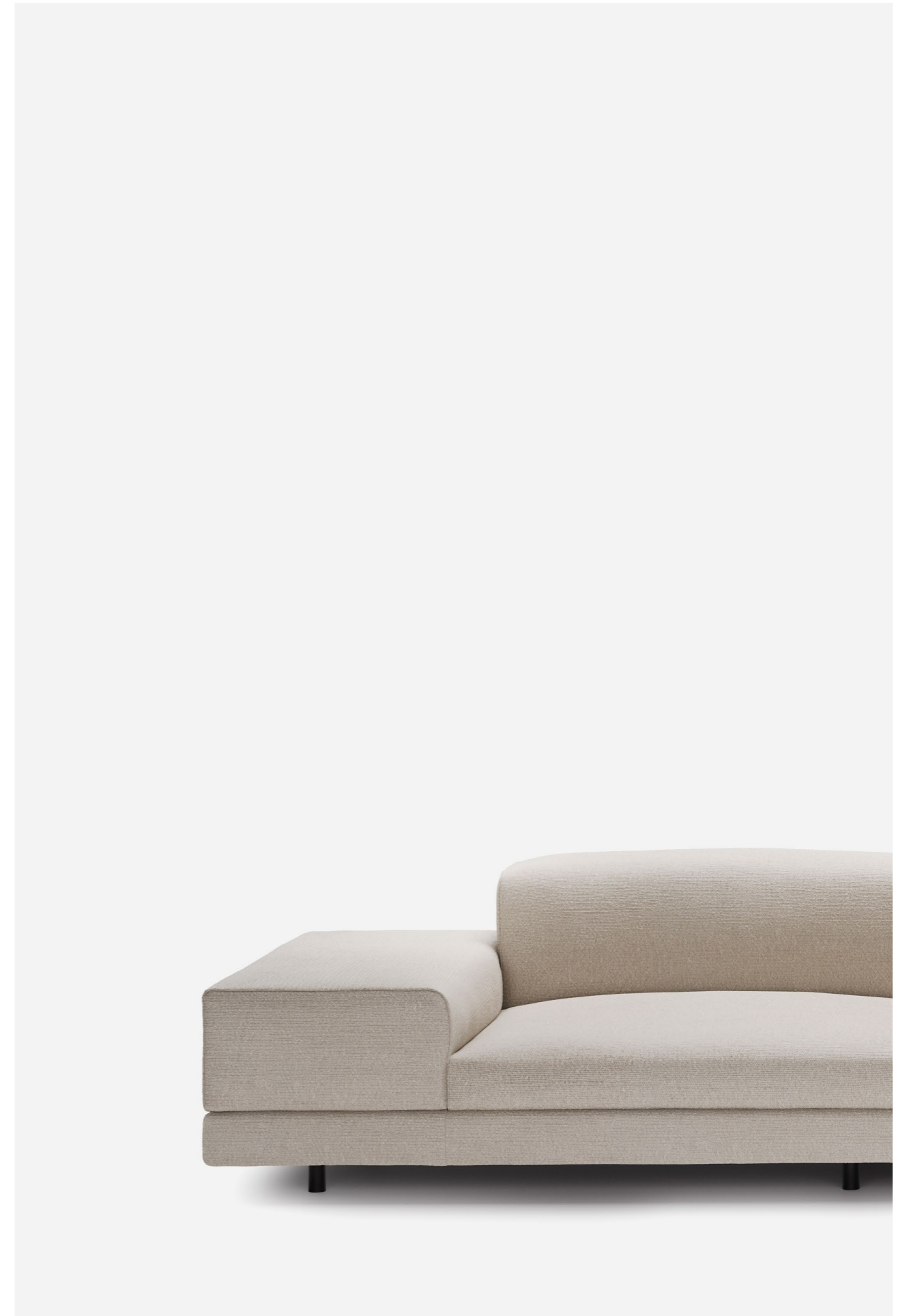


LORT144 SX LORF072
 LORE096 LORF096
 LORV096 LORF096

Composition 10



LORF072 LORF096
 LORF092 LORT144L SX
 LORF072 LORE144
 LORF096 LORT144L DX
 LORF072



The commercial codes refer to the elements chosen in the above-proposed compositions.

